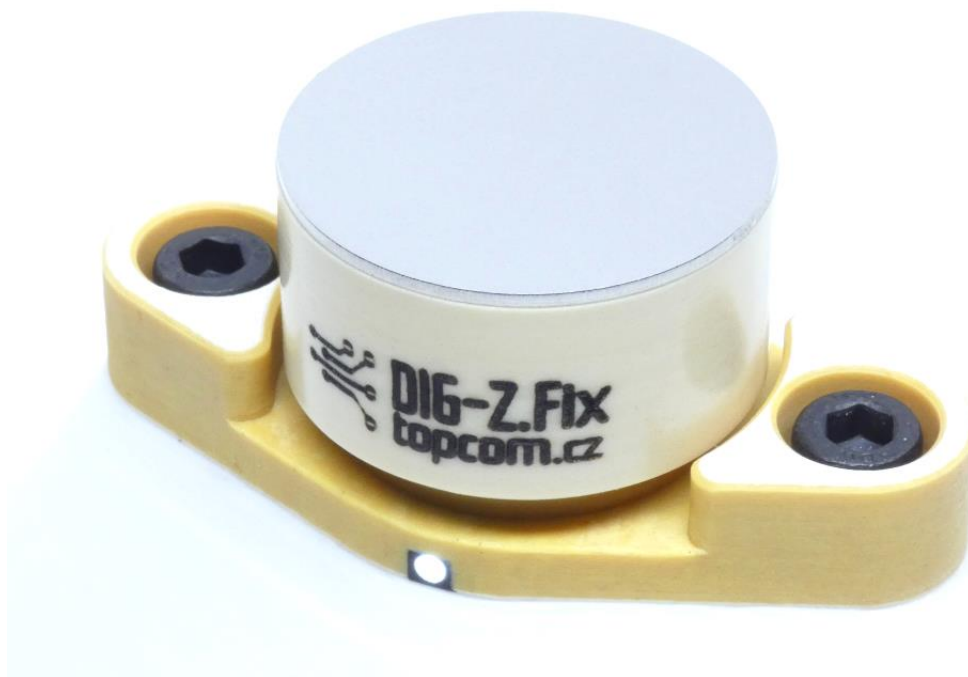


DIG-Z.Fix – tool length sensor
fixed to a worktable



Buy this item at:



<https://www.topcom.cz/store/>

--- or ---



<https://www.ebay.com/str/cncprobes>



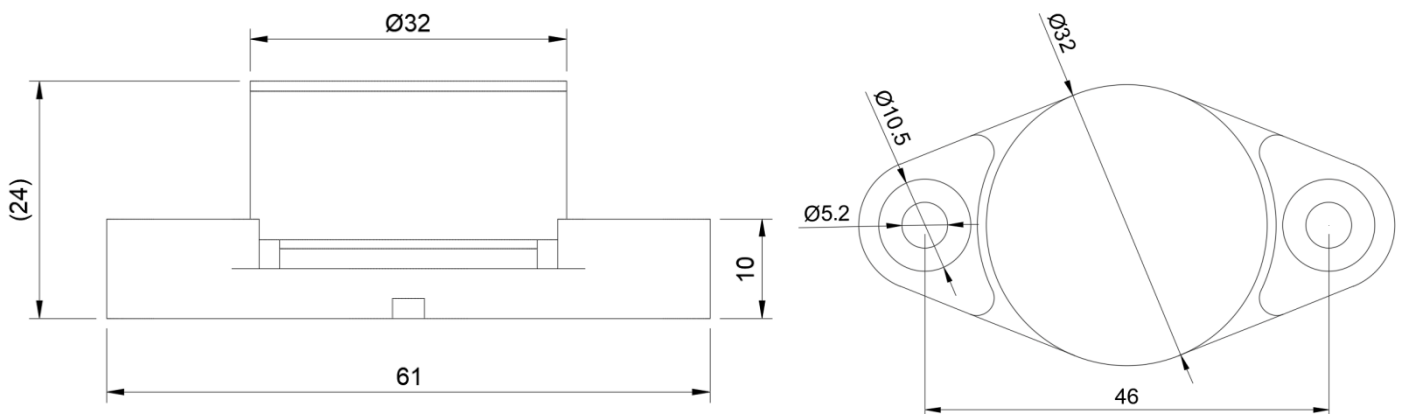
Important: this device needs connection and installation. Seller does not take any responsibility for any damage or injury caused by using of this device. Read carefully documentation for your CNC machine and motion board.

Description:

DIG-Z.Fix is a device mostly used for automated measurement of a tool length at CNC machine.

Main features:

POWER	
Power voltage (Vcc)	5-24V DC
Power consumption	<25mA
OUTPUT	
Output type	NPN or PNP
Switch type	NO or NC
Output voltage	24V max.
Output current	50mA max.
DIMENSION	
X * Y * Z	61x32x25mm
Switching point	Approx. 24mm from the base



Electrical connection:

DIG-Z.Fix can be ordered in different output versions.



Please check the power supply voltage and the output type fits to your CNC motion board.

Power supply voltage

Voltage range is 5-24V.

Switch type:

NO (Normally OPEN): Output is active, if sensor is triggered.

NC (normally CLOSE): Output is active, if sensor is NOT triggered.

Output type:

NPN: Output is switched to the ground (GND), if output is active.

PNP: Output is switched to the power supply, if output is active.

In both cases, output is disconnected, when output is inactive.



TIP: How to easily recognize, if you need NPN or PNP output?

If you have to switch the input at your motion board to ground (GND) to activate the input, you need NPN output.

If you have to switch the input at your motion board to positive power supply, to activate the input, you need PNP output.

Please check carefully your motion control board to select correct power supply and output type. If you are not sure, do not hesitate to contact me and ask for an advice.

Cable:

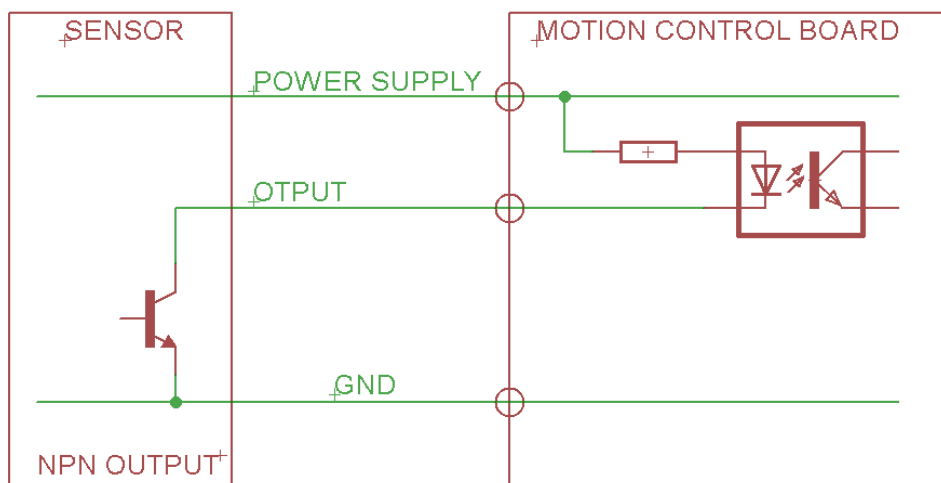


Brown
Blue
Black

Positive power supply (5-24V)
GND
output, 50mA max.

Cable length: 2m

Connecting a sensor with NPN output:



Connecting a sensor with PNP output:

